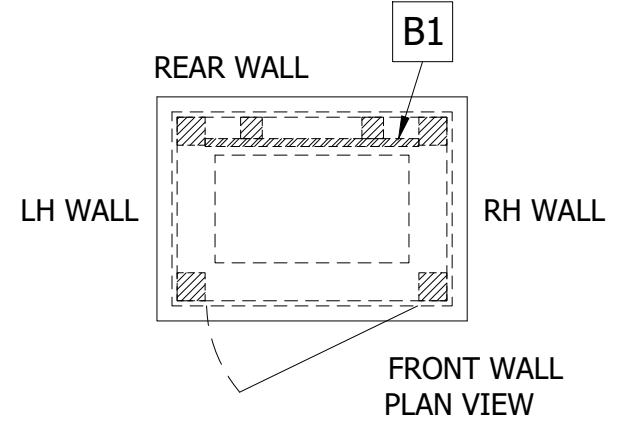
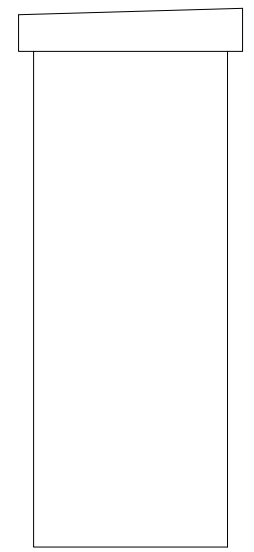


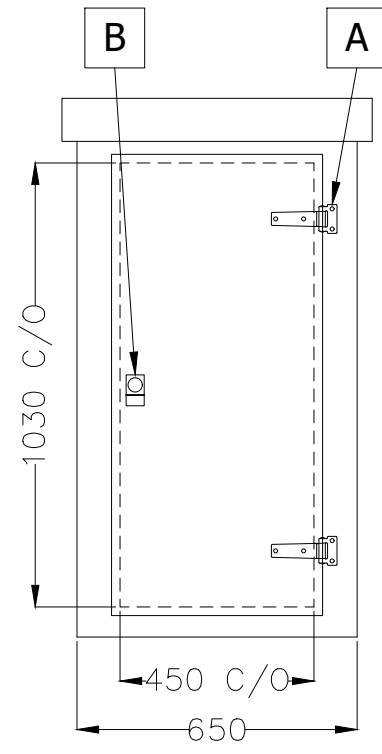
EXTERNAL VIEW ON REAR WALL



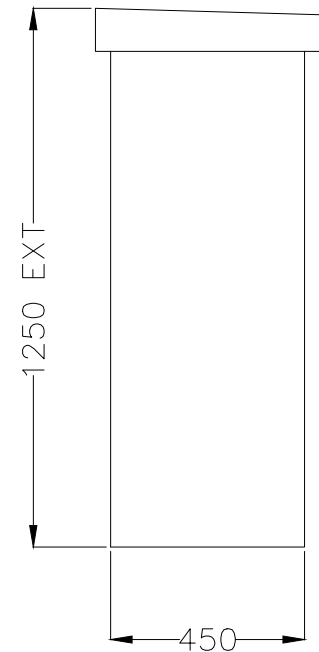
FRONT WALL
PLAN VIEW



EXTERNAL VIEW ON LH WALL



EXTERNAL VIEW ON FRONT WALL



EXTERNAL VIEW ON RH WALL

CONSTRUCTION:	GRP/12mm PLY/GRP
EXTERNAL FINISH:	SMOOTH GEL
EXTERNAL COLOUR REF:	INSERT COLOUR REF
INTERNAL FINISH:	MATT GRP
INTERNAL COLOUR:	WHITE
BASE FLANGE:	100mm
INSTALLATION TYPE:	READY-BUILT

PARTS LIST / LEGEND:		QTY:
A	STAINLESS STEEL HINGES	2
B	CYLINDER LOCK	1
B1	FULL W X FULL H 18mm TREATED PLY BACKBOARD	1

PRODUCTION NOTES:

ESTIMATED KIOSK WEIGHT:	85Kg
-------------------------	------

A		
-	FIRST ISSUE	00/00/00
REV:	DETAILS OF REVISION	DATE:

THIS DRAWING AND DESIGN IS THE PROPERTY OF INDUSTRIAL GRP AND WITHOUT THE WRITTEN CONSENT OF INDUSTRIAL GRP LTD MAY NOT BE COPIED IN WHOLE OR IN PART OR COMMUNICATED IN ANY FORM TO A THIRD PARTY.

INDUSTRIAL GRP
 HEAD OFFICE TEL: 01269 845 800
 WEBSITE: WWW.INDUSTRIALGRP.CO.UK
 BLOCK 2 UNIT C, CAPEL HENDRE INDUSTRIAL ESTATE, AMMANFORD, CARMARTHENSHIRE, SA18 3SJ

TITLE:	C1 CABINET
CLIENT:	INSERT CLIENT
DRAWING REF:	INSERT DRAWING REF
DATE: 00/00/00	DRAWN BY: -- CHECKED BY: -- REV: -